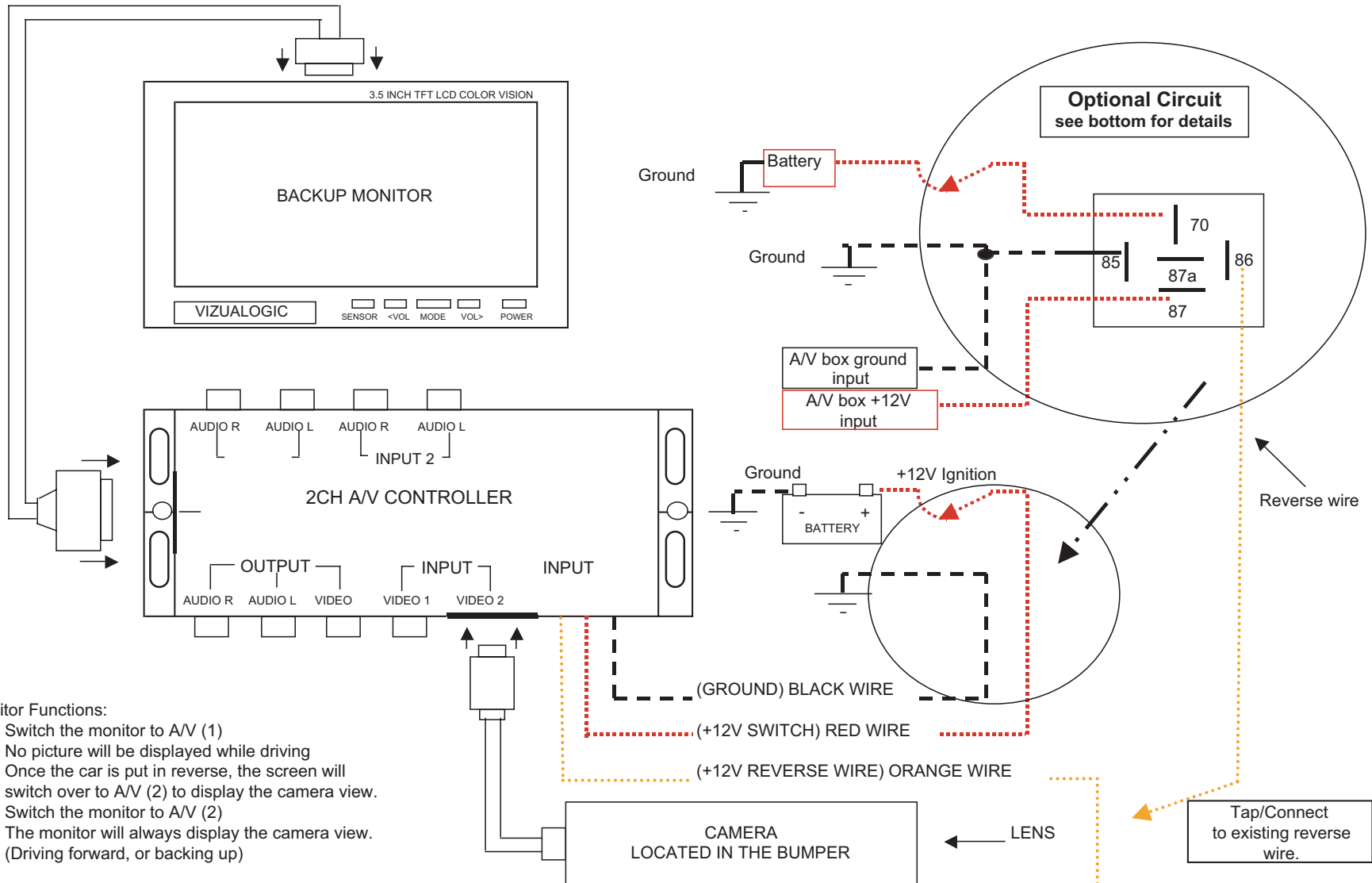


HindSight™ System Diagram



Monitor Functions:

1. Switch the monitor to A/V (1)
No picture will be displayed while driving
Once the car is put in reverse, the screen will switch over to A/V (2) to display the camera view.
2. Switch the monitor to A/V (2)
The monitor will always display the camera view.
(Driving forward, or backing up)

Optional Circuit Diagram

1. Adding a relay so the Monitor will turn on when the car is in reverse only. The Monitor will turn off when the car goes out of reverse.
2. Relay wires
 - a. Connect pin 87 to the 'RED WIRE' from A/V Box.
 - b. Connect pin 86 to the 'ORANGE WIRE' from A/V box.
 - c. Connect pin 85 to GROUND
 - d. Connect pin 70 to the +12V Switch
 - e. Pin 87a is not used.